

Mini Operator Guide

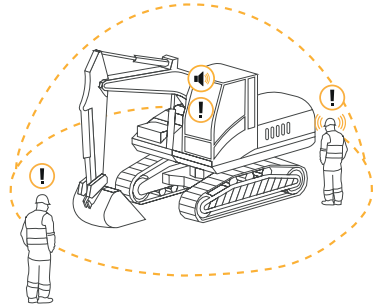
What is SiteZone?

SiteZone is a proximity warning system designed to alert a vehicle operator if a pedestrian wearing a SiteZone tag approaches too close to their vehicle.

How do you work with SiteZone?

The SiteZone system **must** always be plugged in and operating.

This will activate the exclusion zone around the machine (pre-set to a specified distance up to 10m.)

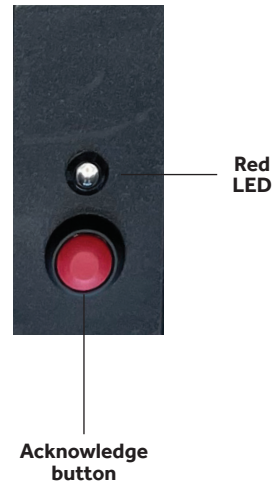


Before Machine Start Up

- Only one tag, your tag, must be present
- Check there are no other tags, including other drivers, in the zone of your machine

Start Up

- When system is powered, the **RED LED** will flash at a 1 second interval
- Press the **RED acknowledge button** on the unit to complete self-test sequence
- **RED LED** will now be off, and the external alarm beacon (if fitted) will flash to show the system is active
- If you cannot acknowledge your tag, and the system continues in alarm mode, then there may be another tag in the zone, or the system is faulty
- The system is now activated



When a tag is detected (zone breach)

- **RED LED** will flash
- External alarm will sound
- You should put the machine into a safe state
- When the pedestrian leaves the zone the alarm will stop and the **RED LED** will turn off after 3 seconds

When multiple tags are detected (multiple zone breaches)

- The **RED LED** will flash in line with the number of tags in the zone
- The external alarm will continue to sound until all pedestrians have left the zone
- Do not press the **red button** if safety protocols have not been followed

To authorise an approach in line with existing safe systems of work

- If the correct site protocol has been followed (often thumbs up), put the machine into a safe state
- As the pedestrian enters the zone, the alarm will sound
- Press and release the **RED acknowledge button**
- The **RED LED** remains lit, but the alarm stops
- You will need to repeat this process for each pedestrian that you authorise into the zone
- Only when the pedestrian has left the zone for more than 3 seconds, will the **RED LED** disappear
- Only restart work when it is safe to do so

Power Off

- Before leaving the vehicle, ensure your vehicle is turned off

Fault Modes

The SiteZone PWS **must not be used** in any of these states and should be reported immediately:

- **No Driver Tag Detected** - The **RED LED** will flash in bursts of 10 pulses
- **Antenna Failure / Disconnect** - The **RED LED** will flash in bursts of 12 pulses



SiteZone Safety is a trading name
of OnGrade Limited

T +44 (0) 800 160 1 544
E info@sitezonesafety.com
W proximitywarning.com

SiteZone Safety,
Arena Business Centre, 9 Nimrod Way,
Ferndown, Dorset, BH21 7UH

Download a copy
of the user guide:

